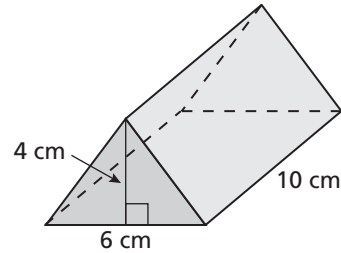


**Chapter  
9****Performance Task** (continued)**Specialty Breakfast Bars**

How can you find the volume of a prism? How can you find the volume of a portion of a prism?

A snack shop sells fruit-flavored oatmeal breakfast bars. An apple bar is in the shape of a triangular prism.

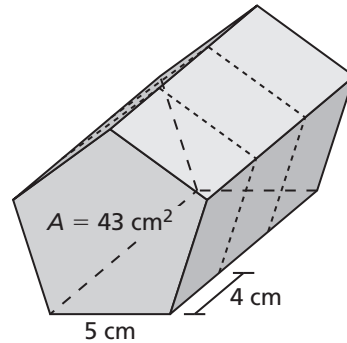
1. What is the volume of an entire apple bar?



2. Jonah buys an apple bar and divides it equally between himself and three friends. What is the volume of each piece of the apple bar?

A lemon bar is in the shape of a regular pentagonal prism.

3. Zane buys a lemon bar and cuts it into three identical pieces, as shown. What is the volume of each piece of the lemon bar?



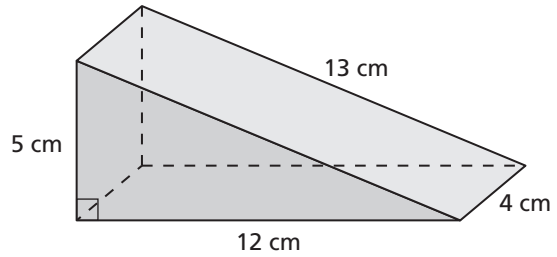
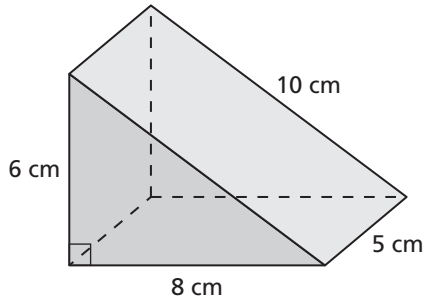
4. What is the volume of an entire lemon bar?

**Chapter  
9**

**Performance Task (continued)**

**Specialty Breakfast Bars**

5. Two other breakfast bars are shown below. Miguel says that the bar on the right contains more food than the bar on the left. Is he correct? Explain your reasoning.



6. Each breakfast bar in Exercise 5 is dipped in yogurt. Which bar requires more yogurt? Explain your reasoning.